

INCH
DIMENSIONS IN
[] ARE METRIC

REMOVE ALL
BURRS, BREAK
SHARP EDGES, AND
INSPECT, CHAMFER
ALL TAPPED HOLES.

GLOBAL PUMP
A MERSINO COMPANY Davison MI 48423

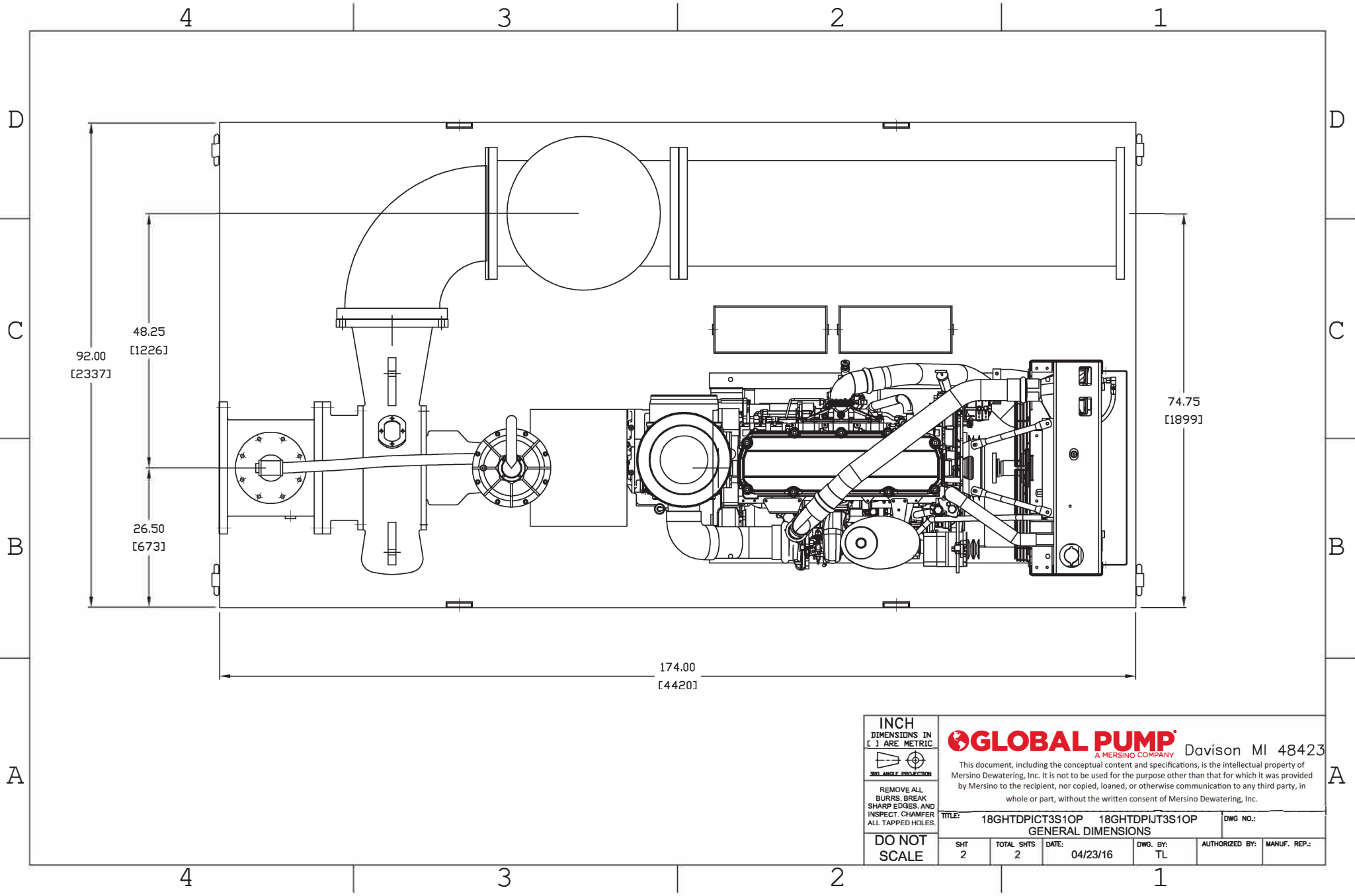
This document, including the conceptual content and specifications, is the intellectual property of Mersino Dewatering, Inc. It is not to be used for the purpose other than that for which it was provided by Mersino to the recipient, nor copied, loaned, or otherwise communication to any third party, in whole or part, without the written consent of Mersino Dewatering, Inc.

DO NOT SCALE

TITLE: 18GHTDPICT3S10P 18GHTDPIJT3S10P
GENERAL DIMENSIONS

DWG NO.:

SHT 1	TOTAL SHTS 2	DATE: 04/23/16	DWG. BY: TL	AUTHORIZED BY:	MANUF. REP.:
----------	-----------------	-------------------	----------------	----------------	--------------



92.00
[2337]

48.25
[1226]

26.50
[673]

74.75
[1899]

174.00
[4420]

INCH
DIMENSIONS IN
[] ARE METRIC

THIRD ANGLE PROJECTION

REMOVE ALL
BURRS, BREAK
SHARP EDGES, AND
INSPECT, CHAMFER
ALL TAPPED HOLES.

DO NOT
SCALE

GLOBAL PUMP
A MERSINO COMPANY Davison MI 48423

This document, including the conceptual content and specifications, is the intellectual property of Mersino Dewatering, Inc. It is not to be used for the purpose other than that for which it was provided by Mersino to the recipient, nor copied, loaned, or otherwise communication to any third party, in whole or part, without the written consent of Mersino Dewatering, Inc.

TITLE:		18GHTDPICT3S10P 18GHTDPIJT3S10P		DWG NO.:	
GENERAL DIMENSIONS					
SHT	TOTAL SHTS	DATE:	DWG. BY:	AUTHORIZED BY:	MANUF. REP.:
2	2	04/23/16	TL		